

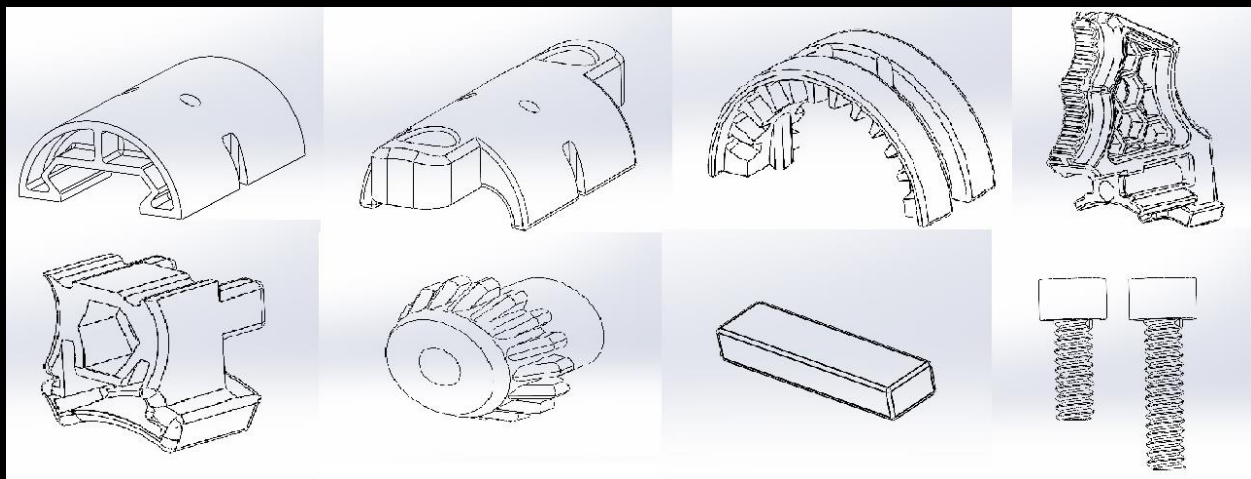
CICADA

TACTICAL



The Cicada Tactical adjustable mount comes with the following parts:

1. Picatinny Base
2. Mlok Base
3. Locking Radius
4. Barricade Stop/Grip
5. Locking Lug
6. Locking Knob
7. Kydex Locking Block (Utilized with the Picatinny Base)
8. Stainless Steel Hardware includes
 - a. (2) 6/32 X 1/2" Bolts (Picatinny Base)
 - b. (2) 6/32 X 3/8" bolts (Mlok Base)
 - c. (2) 6/32 Nuts for Locking Radius
 - d. M5 Bolt for Locking Lug



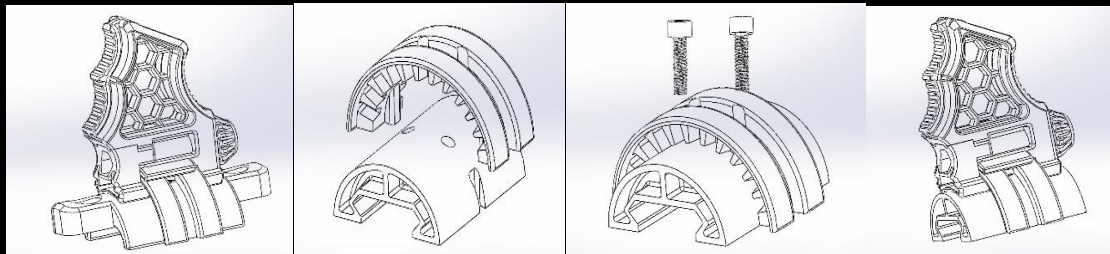
Mlok Base

You will receive the mount already set up in the Mlok configuration. The locking radius will be secured using the two (2), 6/32 X 3/8" bolts and the two (2), 6/32 nuts. The barricade stop/grip will need to be removed to access the Mlok bolts. Locate the desired position on the rail and tighten the Mlok bolts into place. The barricade stop/grip can then be reattached to the mount at the desired degree of angle. Connect the locking lug on the opposing side directly across from the barricade stop/grip. Push the two

together parts together locking them into place. Utilizing the locking knob secure the barricade stop/grip into place by tightening the knob. The mount is now ready for use.

Picatinny Base

While utilizing the Picatinny base, the locking radius will need to be removed from the Mlok base and secured to the Picatinny base using the two (2), 6/32 X 1/2" bolts and the two (2), 6/32 nuts. Tighten to where the tip of the bolt is flush with the nut. This allows the mount to slide freely along the rail. Locate the desired position on the rail where the mount will be secured. The Kydex locking block will then be placed into the valley of the Picatinny rail located directing beneath the two 6/32 bolts. Slowly tighten the bolts, making sure contact is made with the Kydex locking block and not the rail. Alternate tightening each bolt a little at a time making sure not to over torque the bolts. Once the mount is in place, slide the barricade stop/grip into position at the desired degree of angle. Connect the locking lug on the opposing side directly across from the barricade stop/grip. Push the two together parts together locking them into place. Utilizing the locking knob secure the barricade stop/grip into place by tightening the knob. The mount is now ready for use.



The mount was designed to be adjustable to the comfort and ergonomics of the individual and easily relocated if needed. Made from reinforced polymer, the Cicada Tactical mount is a light weight rugged modular accessory. Three (3) built in finger grooves provide a comfortable grip and the ability to set a stable platform on most barricades.

